

ANTI MAGNETIC
CARBIDE CONTACT POINT



LONG STYLUS DIAL TEST INDICATOR

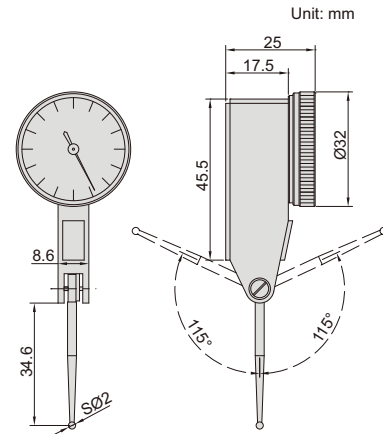
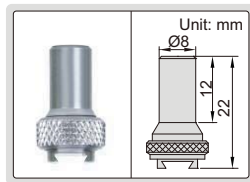
INSIZE PLUS
MADE IN EUROPE



2896-05

- Meet DIN2270
- Ceramic bearing
- Anti magnetic carbide contact point
- Two measuring directions
- Supplied with one clamp:
diameter Ø8mm
- Optional accessory: styli

clamp (included)



Code	Range	Graduation	Accuracy	Hysteresis	Dial reading
2896-05 *	0.5mm	0.01mm	13µm	3µm	0-25-0

* Supplied with manufacturer inspection certificate