

**1 YEAR**  
WARRANTY



# User's Guide



***Talk to our sales  
and shop online at  
[www.huato.cn](http://www.huato.cn)  
E-mail: [sales@huato.com](mailto:sales@huato.com)***

**A2000 Series  
alarming thermo-hygrometer,  
desktop and wall-mounted**

# HUATO

[www.huato.cn](http://www.huato.cn) [sales@huato.com](mailto:sales@huato.com)

**HUATO  
Headquarters:**

HUATO ELECTRIC CO., LTD.

Toll-Free: 0755-29977605

Customer Service: 0755-29977605

Engineering Service: 0755-29977605

Fax: +86-755-29748856

E-mail: [sales@huato.com](mailto:sales@huato.com)

**For Other Locations Visit [www.huato.cn](http://www.huato.cn)**

---

# Table of Contents

<b>Section .....</b>	<b>Page</b>
<b>Section 1 Introduction .....</b>	<b>1</b>
1.1 Introduction .....	1
1.2 Features .....	1
1.3 Applications .....	1
1.4 Data Logger Model .....	1
1.5 Temperature Data Logger Appearance .....	2
1.6 Temperature and Humidity Data Logger Appearance .....	3
1.7 Temperature and Humidity Data Logger Screen .....	4
1.8 Button function instructions .....	5
<b>Section 2 Attention .....</b>	<b>6</b>
<b>Section 3 FAQ .....</b>	<b>6</b>
3.1 LCD Screen Dim .....	6

## Section 1 - Introduction

HUATO A2000 series alarming thermo-hygrometer measures temperature and humidity with different measure accuracy and Auto alarming. LCD displays real-time temperature and humidity, alarming, time, battery status, etc. This meter has been widely used in laboratories, factories, medical industry .etc.

### Section 1.2 - Features

- Fahrenheit and Celsius are available.
- Large LCD display temperature, humidity, data and time as well as date simultaneously.
- Elegant appearance design, desktop and wall-mounted are available.
- Built-in audible and visual alarm and limit alarm.
- DC Power Supply: 9-12V, 5.5mm.
- Host Size(L x H x D): 135mm x 124mm x 35mm.
- LCD Screen Size: 88mm x 55mm.
- Temperature & Humidity External Probe Diameter: 16mm.

### Section 1.3 - Application

- Refrigeration Chamber.
- Supermarkets.
- Working and Living Areas.

**NOTE:**

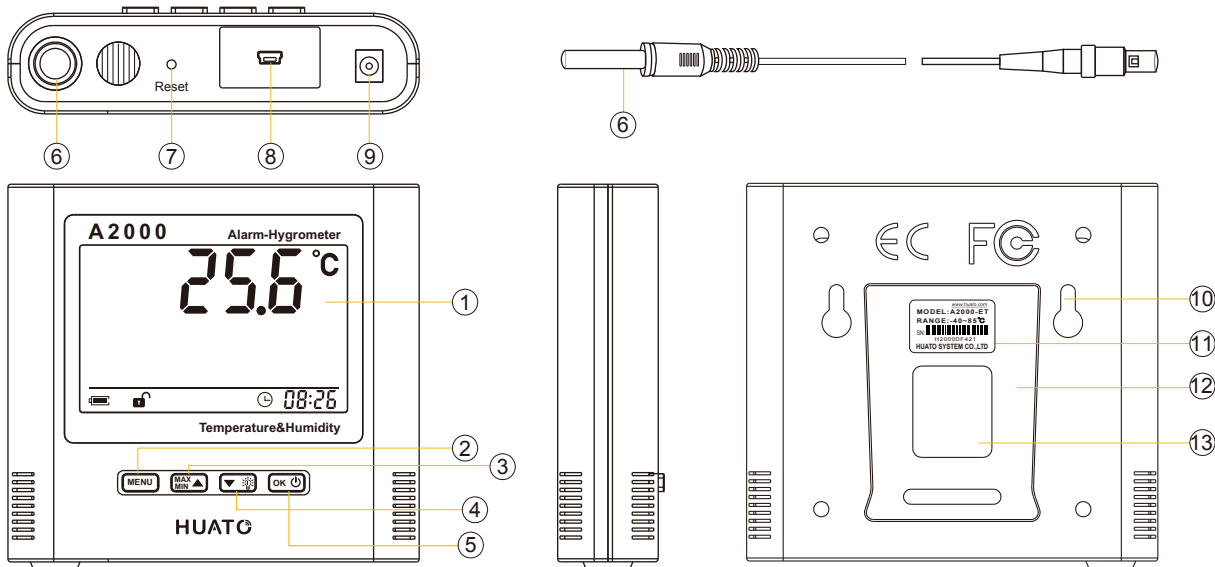
There are no user serviceable parts inside your unit. Attempting to repair or service your unit may void your warranty.

### Section 1.4 - Data Logger Model

Model	Temperature Range	Humidity Range	Temperature Accuracy	Humidity Accuracy
A2000-ET	-40~85°C	(none)	±0.5°C	(none)
A2000-DT				
A2000-TH	-20~70°C	0~100%RH	±0.5°C	±5%RH
A2000-EX	-40~85°C		±0.3°C	±3%RH
A2000-TB	-20~70°C			
A2000-EB	-40~85°C			
A2000-TS	-20~70°C		±0.2°C	±2%RH
A2000-ES	-40~85°C			

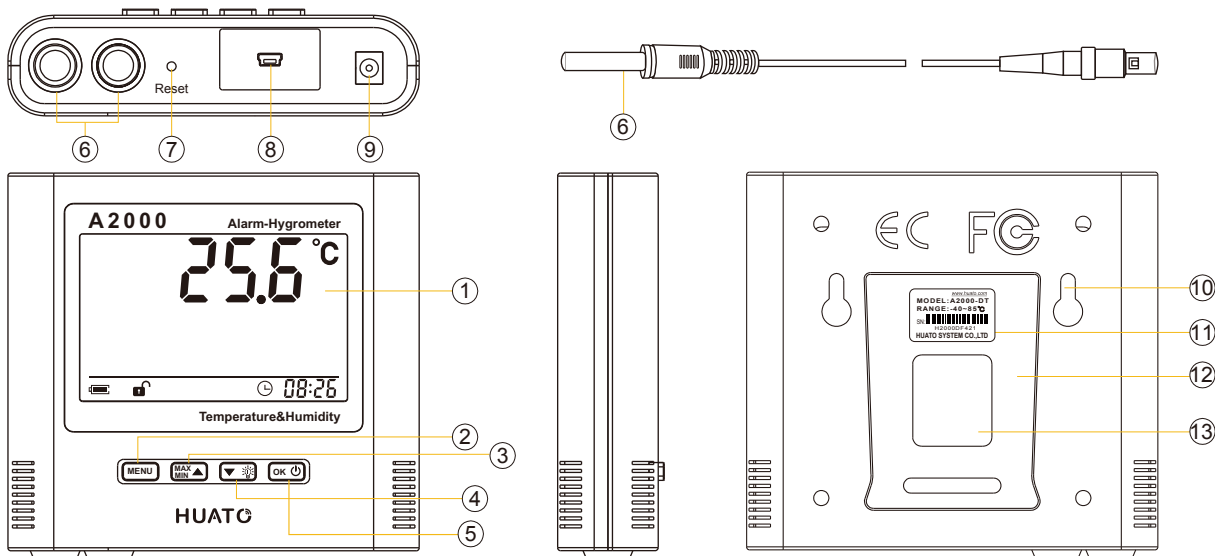
## Section 1.5 - Temperature Data Logger Appearance (A2000-ET/A2000-DT)

### A2000-ET



- |                     |                             |                   |
|---------------------|-----------------------------|-------------------|
| 1. LCD Screen       | 6. External Humidity Sensor | 10. Hanger        |
| 2. Menu Button      | 7. Reset                    | 11. Label         |
| 3. MAX/MIN Button   | 8. USB Interface            | 12. Holder        |
| 4. Backlight Button | 9. DC 12V                   | 13. Battery cover |

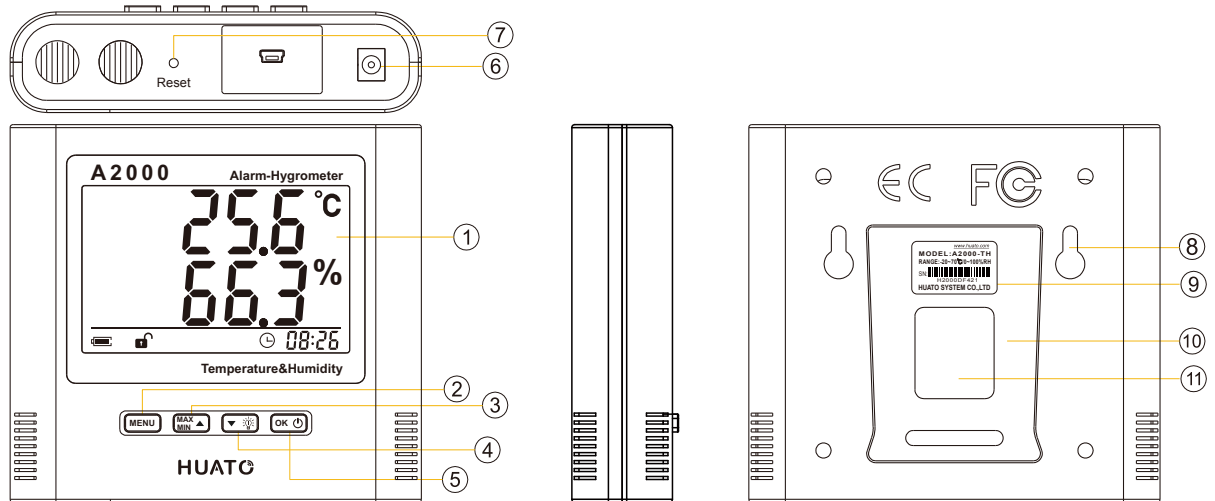
### A2000-DT



- |                     |                             |                   |
|---------------------|-----------------------------|-------------------|
| 1. LCD Screen       | 6. External Humidity Sensor | 10. Hanger        |
| 2. Menu Button      | 7. Reset                    | 11. Label         |
| 3. MAX/MIN Button   | 8. USB Interface            | 12. Holder        |
| 4. Backlight Button | 9. DC 12V                   | 13. Battery cover |

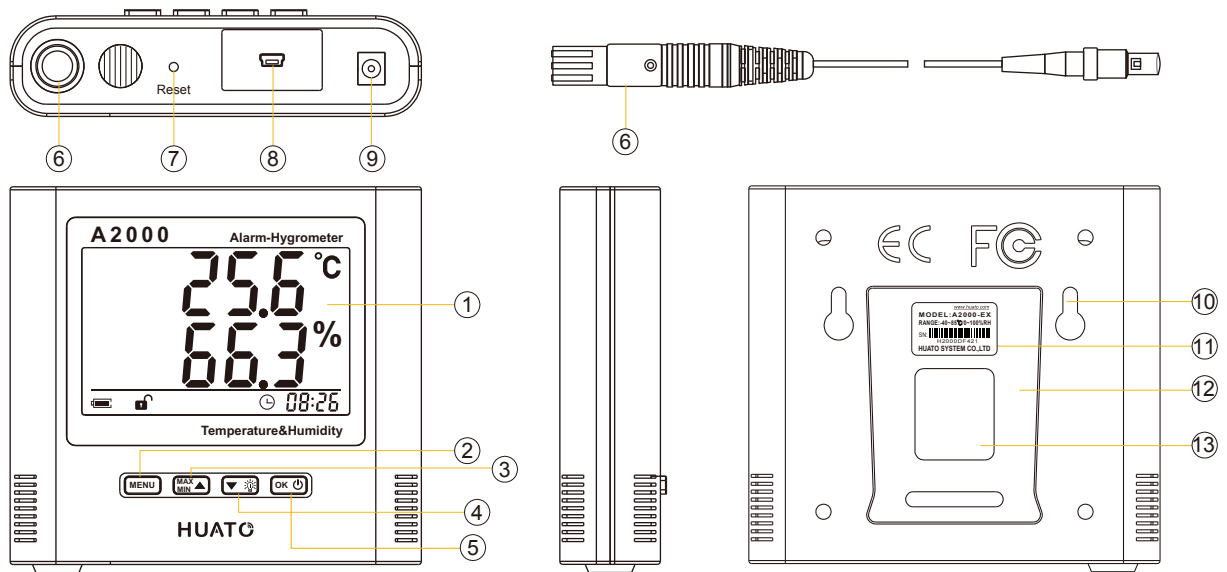
## Section 1.6 - Temperature and Humidity Data Logger Appearance (A2000-TH/A2000-EX/A2000-TB/A2000-EB/A2000-TS /A2000-ES)

### A2000-TH/A2000-TB/A2000-TS



- |                     |                  |                   |
|---------------------|------------------|-------------------|
| 1. LCD Screen       | 5. ON/OFF Button | 9. Label          |
| 2. Menu Button      | 6. DC 12V        | 10. Holder        |
| 3. MAX/MIN Button   | 7. Reset         | 11. Battery cover |
| 4. Backlight Button | 8. Hanger        |                   |

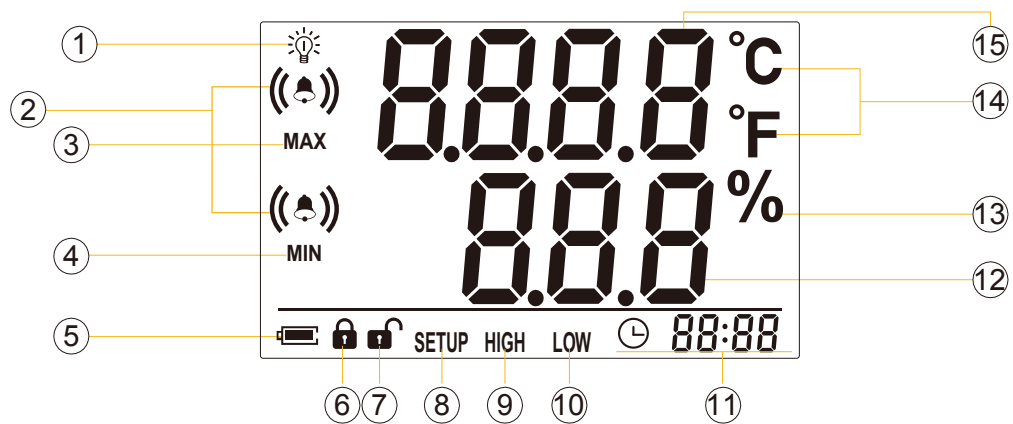
### A2000-EX/A2000-EB/A2000-ES



- |                     |  |                   |
|---------------------|--|-------------------|
| 1. LCD Screen       | 6. External Temperature<br>Humidity Sensor | 10. Hanger        |
| 2. Menu Button      | 7. Reset                                   | 11. Label         |
| 3. MAX/MIN Button   | 8. USB Interface                           | 12. Holder        |
| 4. Backlight Button | 9. DC 12V                                  | 13. Battery cover |
| 5. ON/OFF Button    |  |                   |

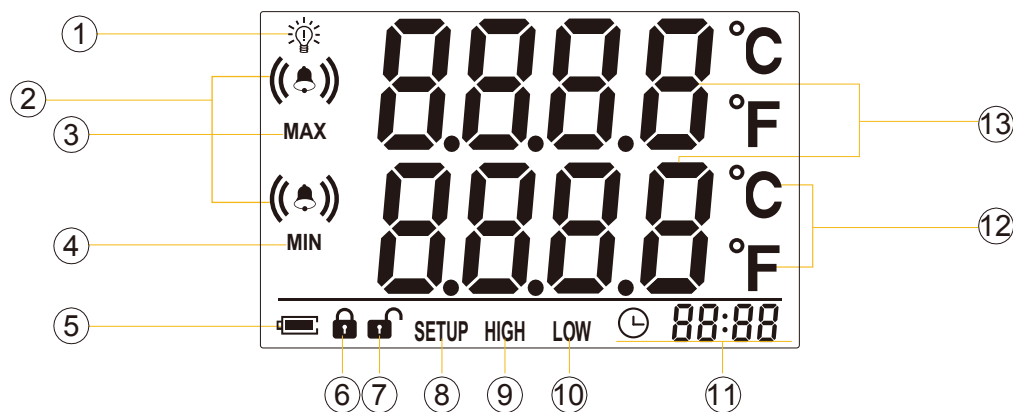
## Section 1.7 - Temperature and Humidity Data Logger Screen

### A2000-TH/A2000-EX/A2000-TB/A2000-EB/A2000-TS/A2000-ES









- |   |                                   |
|---|-----------------------------------|
| 1. Backlight (optional function)  | 8. Indicate the setup situation.  |
| 2. Alarm when the value exceeds the setting limits.   | 9. Indicate the high limit setup. |
| 3. Press Max/Min and display the maximum value.   | 10. Indicate the low limit setup. |
| 4. Press Max/Min and display the minimum value, press again and them show the current value.  | 11. The operation time.           |
| 5. Indicates full power when symbol is black, exchange battery is necessary when it is white. | 12. Humidity display area.        |
| 6. Lock.  | 13. Humidity symbol.              |
| 7. Unlock.  | 14. Temperature Unit: °C or °F.   |
|   | 15. Temperature display area.     |






### A2000-ET/A2000-DT



- |   |                                   |
|---|-----------------------------------|
| 1. Backlight (optional function)  | 7. Unlock.                        |
| 2. Alarm when the value exceeds the setting limits.   | 8. Indicate the setup situation.  |
| 3. Press Max/Min and display the maximum value.   | 9. Indicate the high limit setup. |
| 4. Press Max/Min and display the minimum value, press again and them show the current value.  | 10. Indicate the low limit setup. |
| 5. Indicates full power when symbol is black, exchange battery is necessary when it is white. | 11. The operation time.           |
| 6. Lock.  | 12. Temperature Unit: °C or °F    |
|   | 13. Temperature display area.     |

## Section 1.8 - Button function instructions

-  : Setup key, press this key, the hygrometer enters into setting status and customers can set temperature and humidity high and low limits, alarm function, clock as well as re-calibration setup.
-  : Multifunction key, press to add the value during setting status and displayed on LCD, add 1 every press. Being the maximum button during the normal working status.
-  : Multifunctional key, press to decrease the value during setting status and displayed on LCD, decrease 1 every press. Being the minimum button during the normal working status.
-  : Multifunctional key, OK key during the setting status and can enter the next setting menu (high and low limit setting, re-calibration setting, alarm setting and clock setting one by one). ON/OFF key during normal working status.
-  : Press these two keys simultaneously can lock and unlock the hygrometer.
-  Keys are unavailable during locking status.

For example: If you want to set temperature high limit, press , enter the setting status, press , enter the high limit setting status, then press  , to add or decrease the temperature value, press , when temperature setting is complete and will enter the next setting status.

(High and low limits setup→Alarm function setup→Clock setup→Re-calibration setup.)



- Plastic shell is ABS, flame retardant, not resistant to acid and alkali.
- If repair is needed, only authorized technician can do the repair.
- The instrument configuration by 9V Battery is not rechargeable.
- USB power supply (2.7V) cannot let the Data Logger work.

### **Section 3.1 - LCD Screen Dim**

Insufficient battery or the environment temperature is too low or too high.

**Solution** : In the case of insufficient battery, please replace the battery. If results from environment temperature, please immediately take the logger out of the environment.