



HMA100
Halogen Moisture Analyzer
USER MANUAL

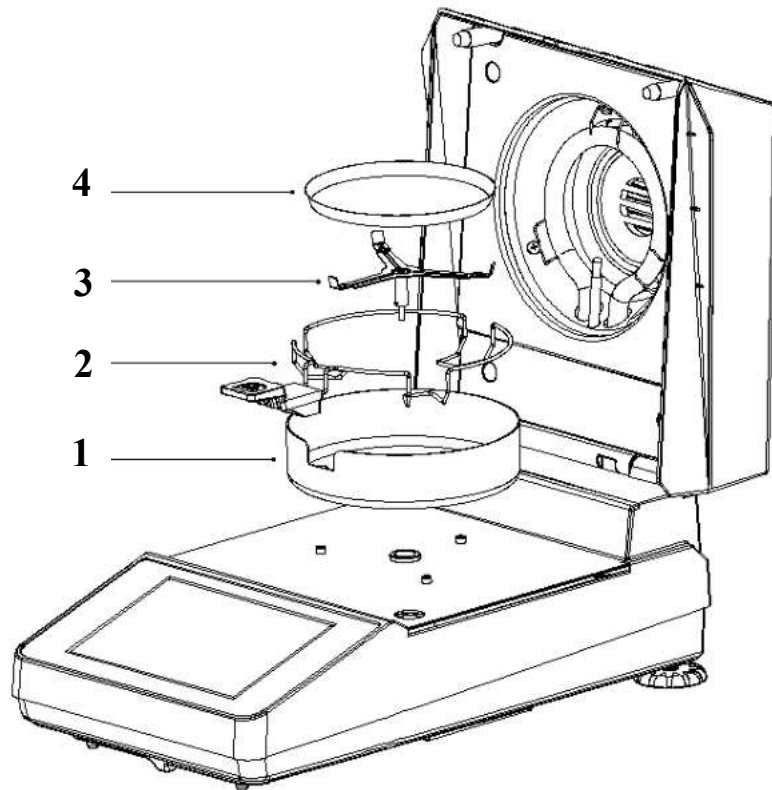
CATALOGUE

First. Introduction	1
Second. Installation.....	2
2.1 Standard packing list	
2.2 Placement requirements	
2.3 Installation of the accessories	
Third. Home page.....	3
3.1 Start page	
3.2 Test page	
Forth. Menu.....	4
4.1 Parameter settings	
4.2 Historical records	
4.3 Print Settings	
4.4 Instrument Calibration	
4.5 Language settings	
4.6 System Settings	
4.7 System information	
Fifth. Assembly Drawing.....	8
Sixth. Tips.....	9

Sixth. Tips

1. Turn on the machine and War it up at least 30 minutes, Then please go on calibrating;
2. After the calibration, a moisture test can be performed as preheating;
3. If the continuous testing, please waiting the temperature down to about 45°C for heating again;
4. For Weighing, do not overload;
5. After shutdown, If you need to turn on the machine again, Please wait more than 10 seconds;
6. When covering the heating cover, do not leave the weight on the scale, otherwise the halogen lamp will be damaged;
7. Leave the moisture analyzer, be sure to cut off the power supply;
8. Do not allow the moisture analyzer to operate under no body monitoring condition.

Fifth.Assembly Drawing



Installation sequence: 1 — 2 — 3 — 4

1. Wind cover
2. Tray handle
3. The triangle scale frame
4. Aluminum Weighing Pan

First.Introduction

1. Security

1.1 To use the moisture analyzer safely and reliably, please observe the following conditions:



a. This instrument is suitable for measuring of sample moisture content, and all improper operations may cause personal injury and damage to the instrument.



b. Please access the AC power supply according to the requirements specified in the manual, and use 3 cores with grounding socket.it is strictly forbidden to disconnect the grounding plug.

c. The power cord connection shall not hinder the normal activities of the human body. Keep the human body from touching or tripping.

d. Do not operate this instrument under dangerous, wet and unstable conditions.

e. Unplug the power supply when cleaning the instrument.

f. During Operating,Please keep enough space around the instrument,and keep the top of the space at least 1m .

g. The instrument must be operated by professional personnel and wear the corresponding protective equipment.

h. Non-professionals should not arbitrarily dismantle the parts of the instrument. Maintenance of this instrument is performed by professionals authorized by the factory.

1.2 Note the following clauses when heating the moisture analyzer:



i.No flammable articles shall be placed around instrument.

j. Samples, heating halogen lamps and surrounding parts will be very hot, and extra care should be taken when moving the sample to prevent burns.

k. Special attention was paid to the harm of some samples themselves.



For some sample substances with potential safety risks, please do a good job of danger analysis and prevention carefully before testing.

No test: flammable ,explosive and samples contain-in solvents.

Toxic / corrosion: for toxic or corrosive component samples should be conducted in a well-ventilated environment, such substances in heating will release toxic corrosive gas, it is recommended to test samples as little as possible.

Special care should be taken for the above sample test, and please be responsible for any damage caused by yourself !

Second.Installation

2.1 Standard packing list

Open the box and take out the instrument and accessories, and check whether the packing list is complete.

standard layout	quantity	remarks
Moisture analyzer	1 set	
Wind Cover	1 piece	
The triangle scale frame	1 piece	
Tray handle	1 piece	
Power cord	1 piece	
Aluminum Weighing Pan	1 box	20 pcs
100g weight	1 piece	
User manual	1	
Product certificate	1	

2.2 placement requirements



Operating table should be stable


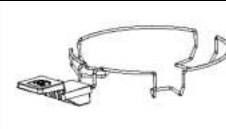

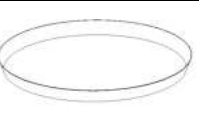


Temperature stable, dry, without strong vibration, without strong magnetic field.



good ventilation of the environment

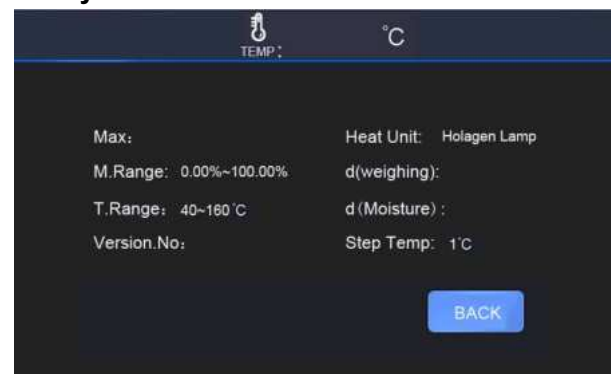
2.3 Installation of the accessories

			
Place the wind Cover and align at the positioning hole.	The tray handle is placed in the windproof circle, and the plastic handle is aimed at the opening groove of the windproof ring.	Place the tripod and rotate until positioned.	Place the aluminum weighing pan on the tripod pan holder.

4.6 System Settings

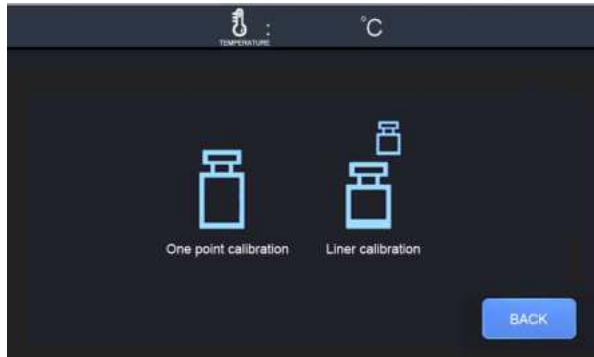
This setting includes: TIME / DATE. TOUCH.CAL(Touch screen calibration) and RECOVERY (Factory Default)function.

4.7 System information



Product Name	Halogen Moisture Analyzer		
Product Model	HMA100-10	HMA100-5	HMA100-1
Scale Specification	110g/10mg	110g/5mg	110g/1mg
Accuracy Of Reading	10mg	5mg	1mg
Scale Plate Size	φ 100		
Heating Method	Halogen Lamp		
Display Mode	5-Inch Color LCD Touch Screen		
Temperature Setting	40°C~160°C		
Time Set	1~99 Minutes		
Test Pattern	Standard / Fast / Soft		
Downtime Method	Automatic / Manual / Timing		
Store History	Group 20		
Heating Part	220v 50hz / 110v 60hz		
The Balance Part	220v 50hz / 110v 60hz		

4.4 Instrument calibration



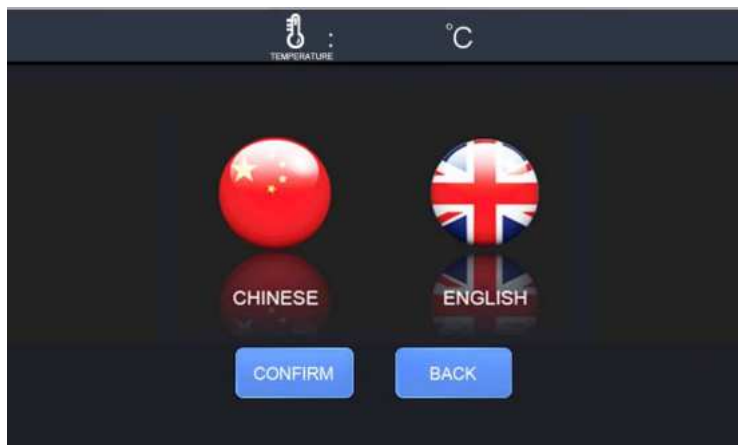
When the instrument error or improper operate, the instrument can be calibrated with standard weights according to way.

One-point calibration: click the icon to enter the calibration page, flash "100.000" and put 100g standard weight. When "100.000" is stable, remove the weight and wait, until the display returns to "0.000", the calibration will end.

Multi-point(Liner) calibration: click the icon to enter the calibration page, flash "100.000", put 100g standard weight, when the "100.000" stable, remove the weight, then flash "50.000", put 50g standard weight, when "50.000" stable, remove the weight, then flash "20.000", put 20g standard weight, when "20.000" stable, remove the weight, and display to "0.000", calibration ends.

4.5 Language settings

Choose simplified Chinese and English



Third. Home page



3.1 Start Page

You will enter into the weighing page when you open the instrument, it also is operation home page.

Setting: the moisture analyzer can be adjusted and set.

Calibration: When the instrument weighs the deviation, the instrument can be calibrated with standard weights according to the prompts.

Tare: Remove the excess weight from the weighing pan and weigh the measured object.

Testing: When the weighing stabilizes, start the moisture test.



3.2 Test Page

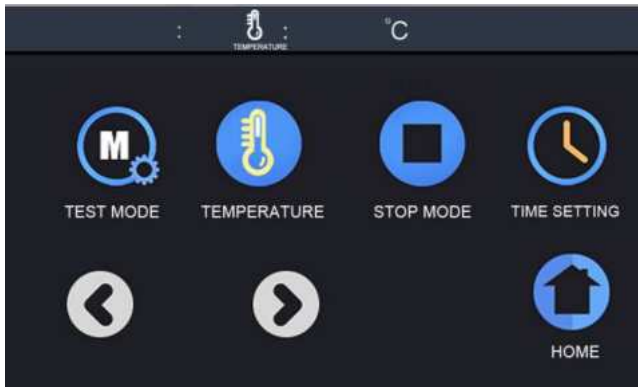
After starting the test, enter into test home page, through the conversion icon: moisture percentage, dry weight percentage and wet weight percentage; through the curve icon to see the moisture curve changes.

Forth. Menu



This page is for the function parameters to be chosen.

4.1 Parameter settings



Test Mode:

Standard: This mode is suitable for the moisture test of most substances;
Soft: the temperature will slowly reach the set temperature, This mode is more conducive to protecting the measured object from thermal decomposition;
Fast: the heating temperature will reach the set temperature at a faster speed. Fast mode can effectively improve the experimental efficiency and shorten the experimental time, but it may also cause the pyrolysis of the measured object.

Temperature :

Different target temperatures can be set according to the subject item,
The temperature set range is: 40°C ~160°C
Temperature-adjustable ladder: 1°C

Stop Mode:

Automatic: the system automatically determines the stop time (Under this function, time setting is invalid);

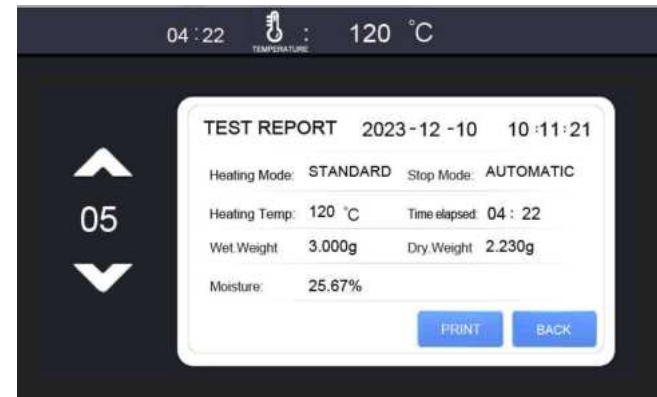
Manual: the moisture analyzer will not stop the heating test by itself until the manual stop;

Timing: Set test time and testing will stop with the set time.

Time Setting:

This function is combined with the stop mode to set the heating time and use the timing setting reasonably, So it can truly simulate an oven and accurately measure moisture percentage

4.2 Historical records



Select the required history and print it.

4.3 Print Settings

The printer can be set up accordingly

Baud rate: 1200 / 2400 / 4800 / 9600

Communication: continuous / press send