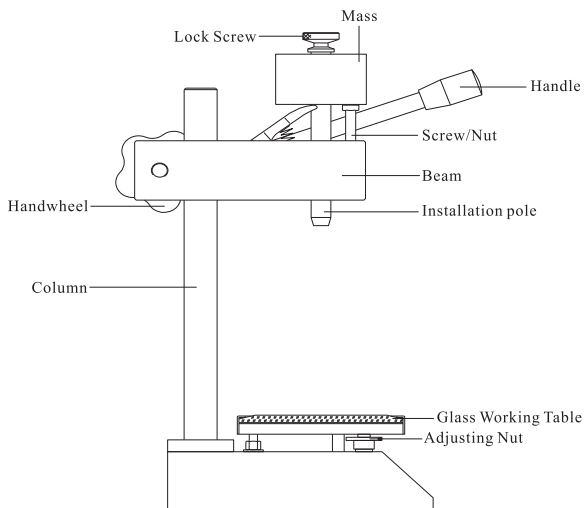


# SLX-A/AO/C Shore Durometer Test stand

## User Manual

### I. Introduction

This test stand is designed for Shore A/Shore AO/C type micropore material durometer. Equipped with homologous mass, it is used to test rubber and micropore material hardness.



Note: Mass dimension:  $\varnothing 64 \times 31$ mm; Weight:  $0.75 \pm 0.05$ kg;  
Installation pole size for connecting durometer:  $M7 \times 0.5$ mm.

### II. Operation

- 1、 Connect durometer to installation pole steadily. Press down handle and make durometer indenter and presser foot touch glass working table completely, then durometer should display  $100 \pm 1$ . If not, please adjust the nut under glass working table.
- 2、 Put specimen on glass working table. Press down handle and make durometer indenter and presser foot touch measuring surface of specimen, then get the reading timely.
- 3、 The reading time is 15 seconds for thermoplasticity rubber and 3 seconds for other rubbers; If you adopt other reading time, you should make a statement in report.

### III. Cautions

- 1、 This durometer test stand is specially for SUND00 Shore durometer. If you want to install other brand durometer, please change the mass.

It carries out according to Shore durometer standard GB/T531.1-2008 (4.3.3).  
Total weight should be 1<sup>±0.5</sup>KG for Shore A/AO type and C type micropore material.

Note: Total weight includes lock screw, mass, screw/nut, installation pole and shore durometer.

- 2、 Make sure there is no shock before use and the durometer indenter touch specimen by max. speed 3.2 mm/s.
- 3、 For specimen requirement and adjustment, process according to specimen standard.

#### **IV.Maintenance**

- 1、 Clean stand after use against rusting.
- 2、 If there is any problem during use, please contact our company or original purchasing place and warranty is one year.

#### **V.Reference documents**

- 1、 GB/T531.1-2008 Rubber vulcanized or thermoplastic - Determination of indentation hardness - Part 1: Durometer method(Shore hardness).
- 2、 HG/T 2489-2007 Cellular for shoes-Determination of hardness.

---

#### **MANUFACTURER: WENZHOU SUND00 INSTRUMENTS CO.,LTD**

Add: Building E, No.10 High-tech Industrial Zone, Wenzhou, China

Zip: 325013

Tel: +86 577 88609905 Fax: +86 577 88390155

Http://www.sundoo.com E-mail: export@sundoo.com